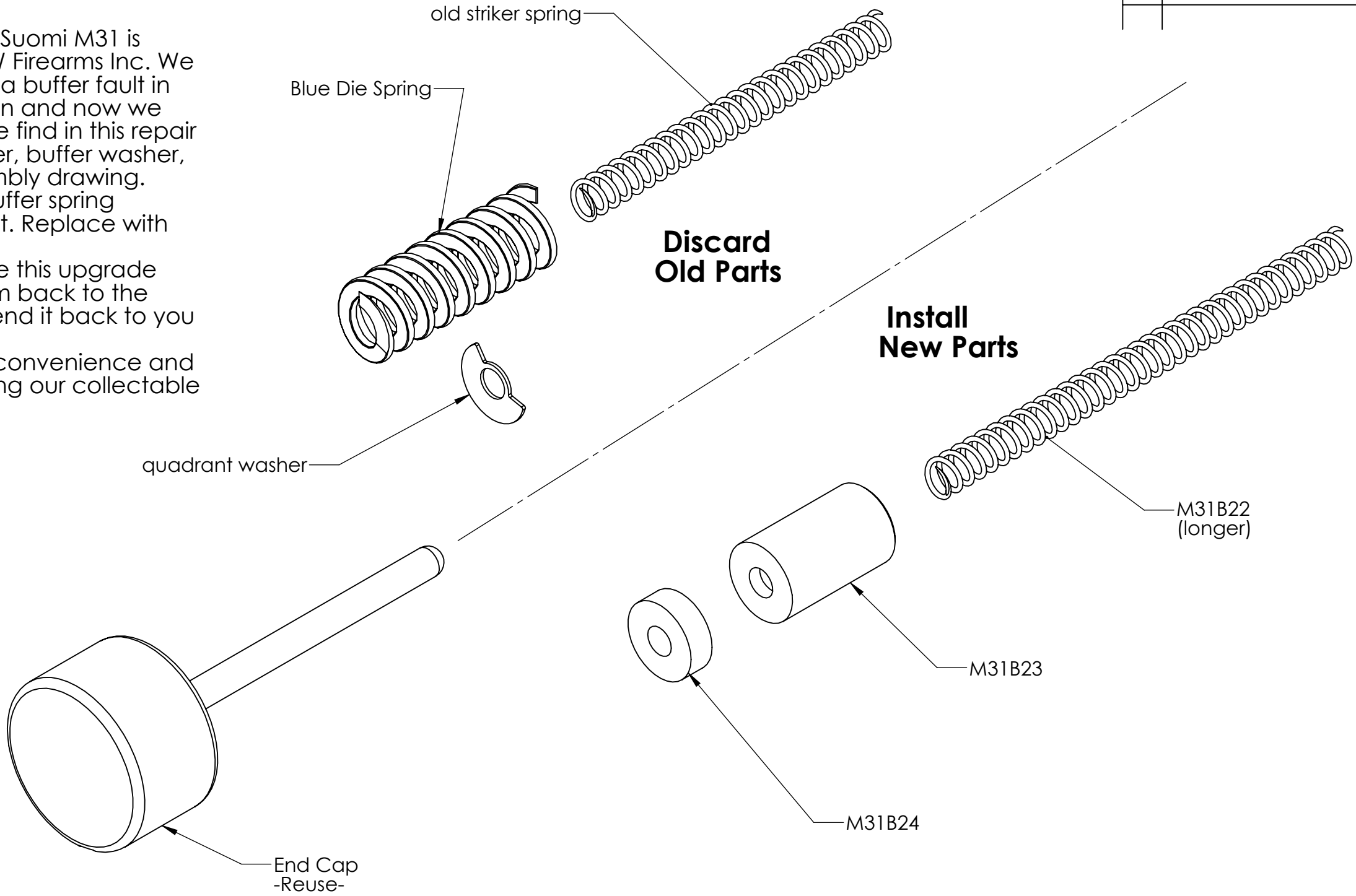


REV	DESCRIPTION	BY	DATE
0			

**M31 Buffer upgrade:**  
 Your newly purchased Suomi M31 is under warranty by TNW Firearms Inc. We have found issues with a buffer fault in the original construction and now we are correcting it. Please find in this repair kit a new buffer cylinder, buffer washer, striker spring and assembly drawing. Remove the original buffer spring assembly and discard it. Replace with new parts provided.  
 If you cannot complete this upgrade TNW will ship the firearm back to the factory, repair it and send it back to you at no cost.  
 We are sorry for any inconvenience and thank you for purchasing our collectable firearms.  
 wo/m31/9-09



**NOTES:**

1. PART TO BE FREE OF SHARP EDGES AND BURRS.
2. MATERIAL:
3. FINISH:

<b>TNW FIREARMS, INC.</b> 55325 Timber Road Vernonia, Oregon - 97064 Phone (503) - 429 - 5001 Fax (503) - 429 - 3505	UNLESS OTHERWISE SPECIFIED DIMENSIONS ARE IN INCHES	<b>TNW FIREARMS, INC CONFIDENTIALITY INFORMATION</b> THIS DRAWING CONTAINS CONFIDENTIAL INFORMATION AND IS ISSUED WITH THE CONDITION THAT IT BE RETURNED ON DEMAND AND NOT BE COPIED, REPRODUCED, DISCLOSED TO OTHERS, OR USED IN THE DESIGN OR MANUFACTURE OF PARTS WITH OUT PRIOR WRITTEN CONSENT FROM TNW FIREARMS, INC.		
	TOLERANCES: .X ± .020 .XX ± .010 .XXX ± .005 ANGULAR: ± 2°	THIRD ANGLE PROJECTION	NAME: DGann DATE: Se/03/09	TITLE: <h1>Buffer Upgrade</h1>
INTERPRET DRAWING PER: ASME Y14.5M - 1994	MATERIAL: SEE NOTE 2	MFG APPR.	SIZE: <b>B</b>	DWG. NO.: <b>M31B50</b>
FINISH: SEE NOTE 3		Q.A.	Used On: <b>M31</b>	REV: <b>0</b>
			N.T.S.	SHEET 1 OF 1